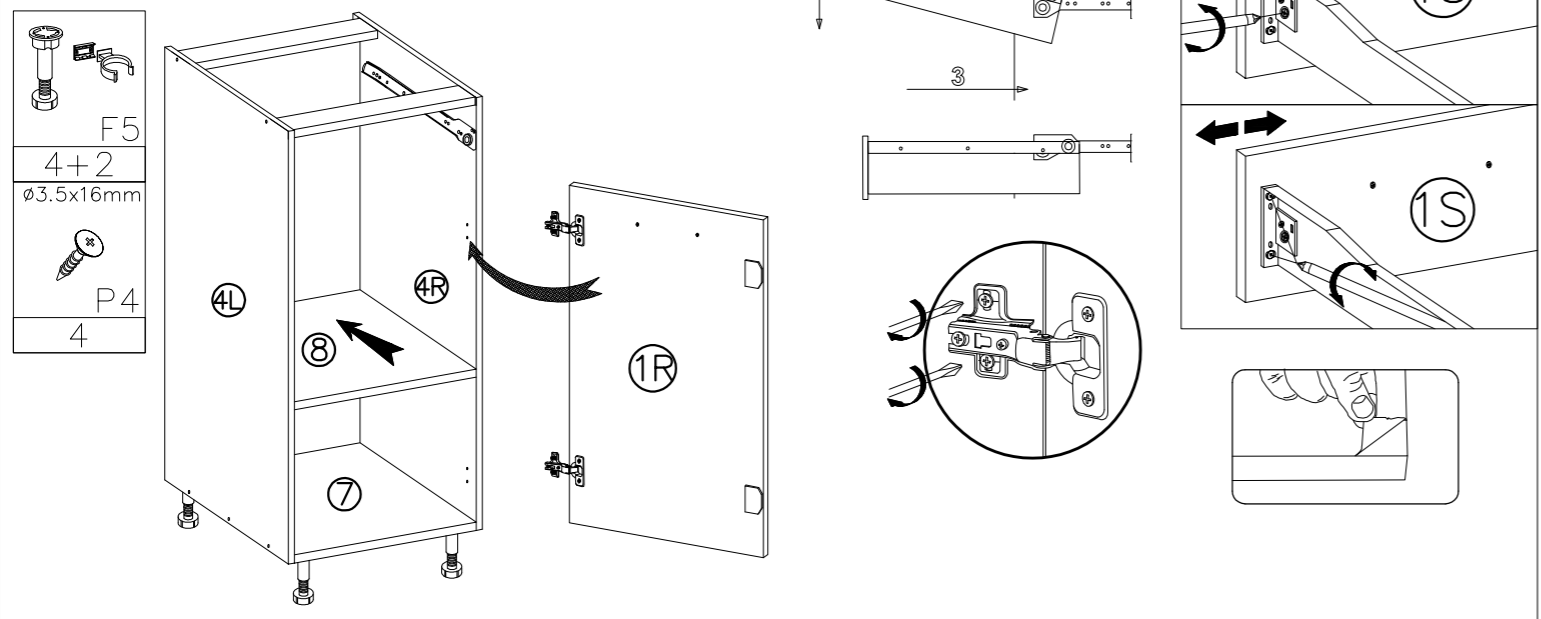
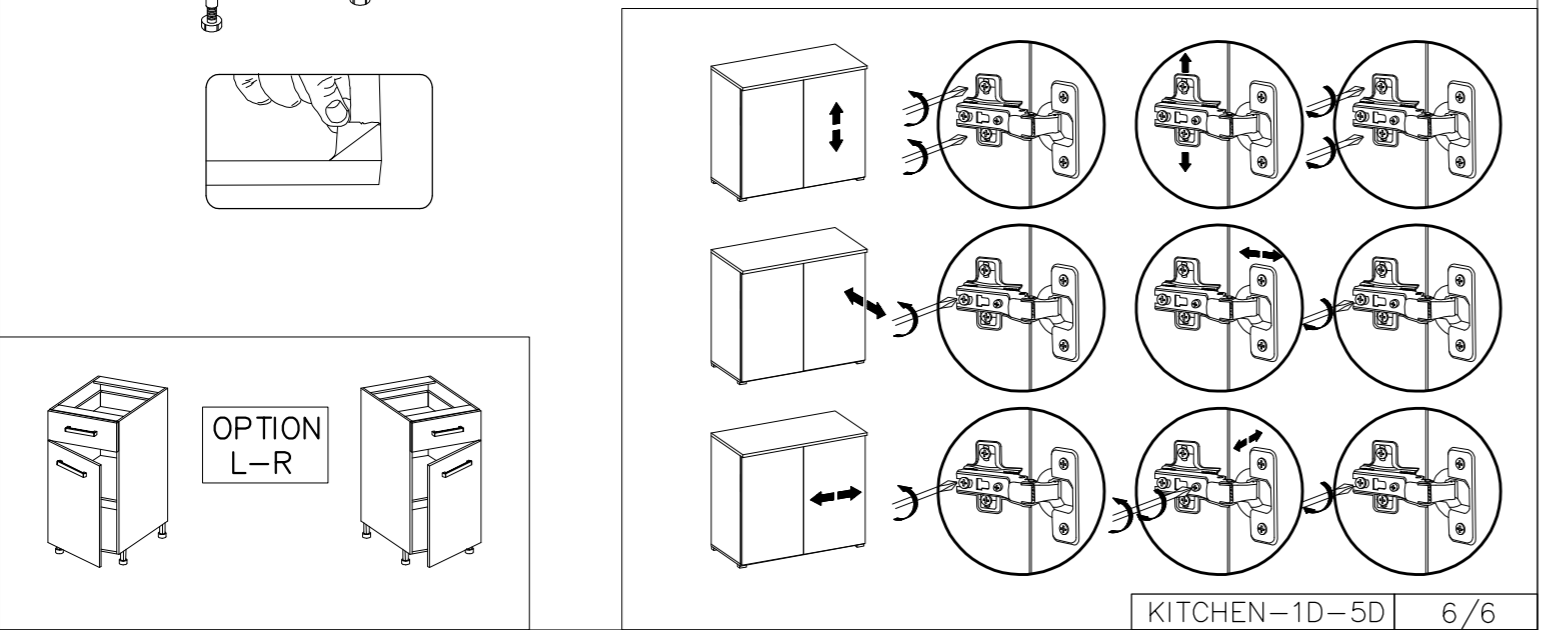
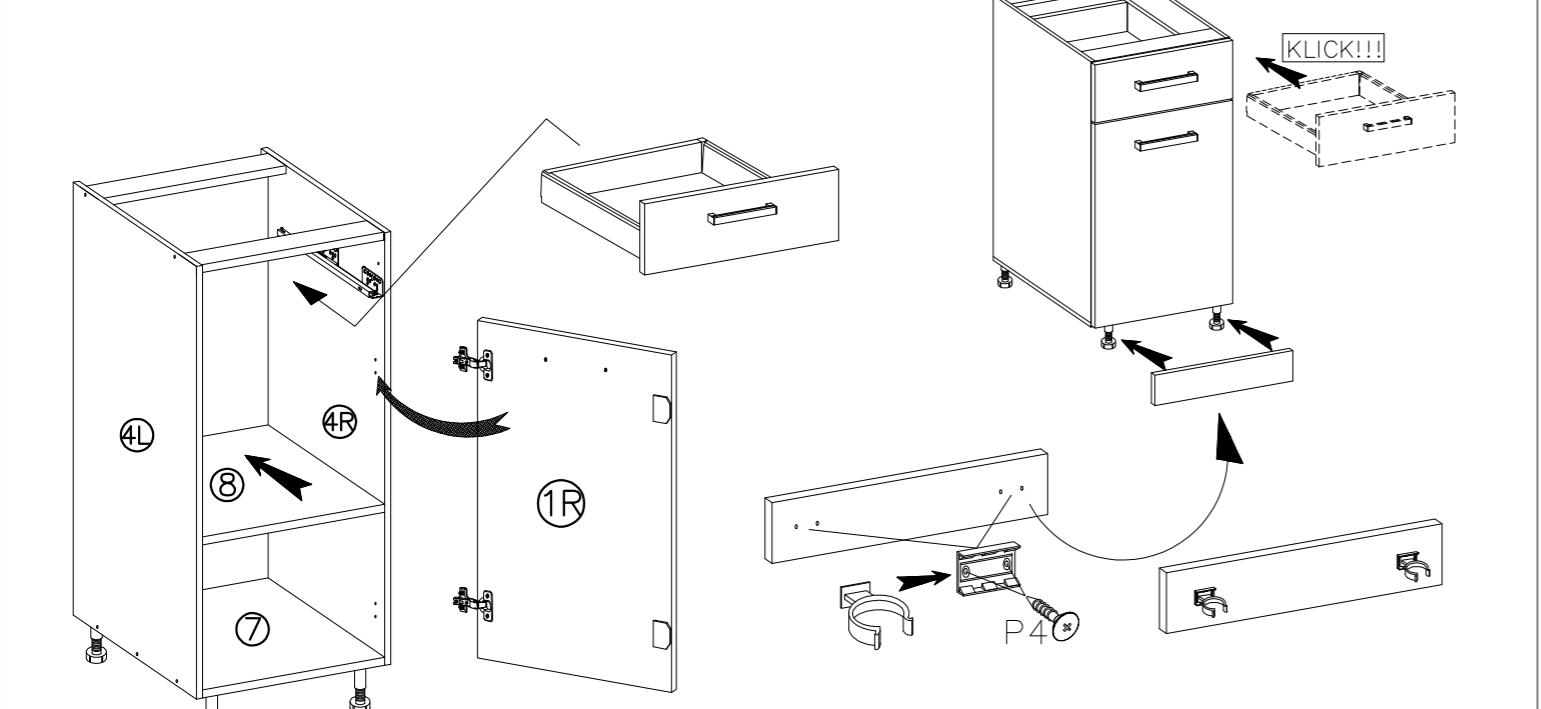


7

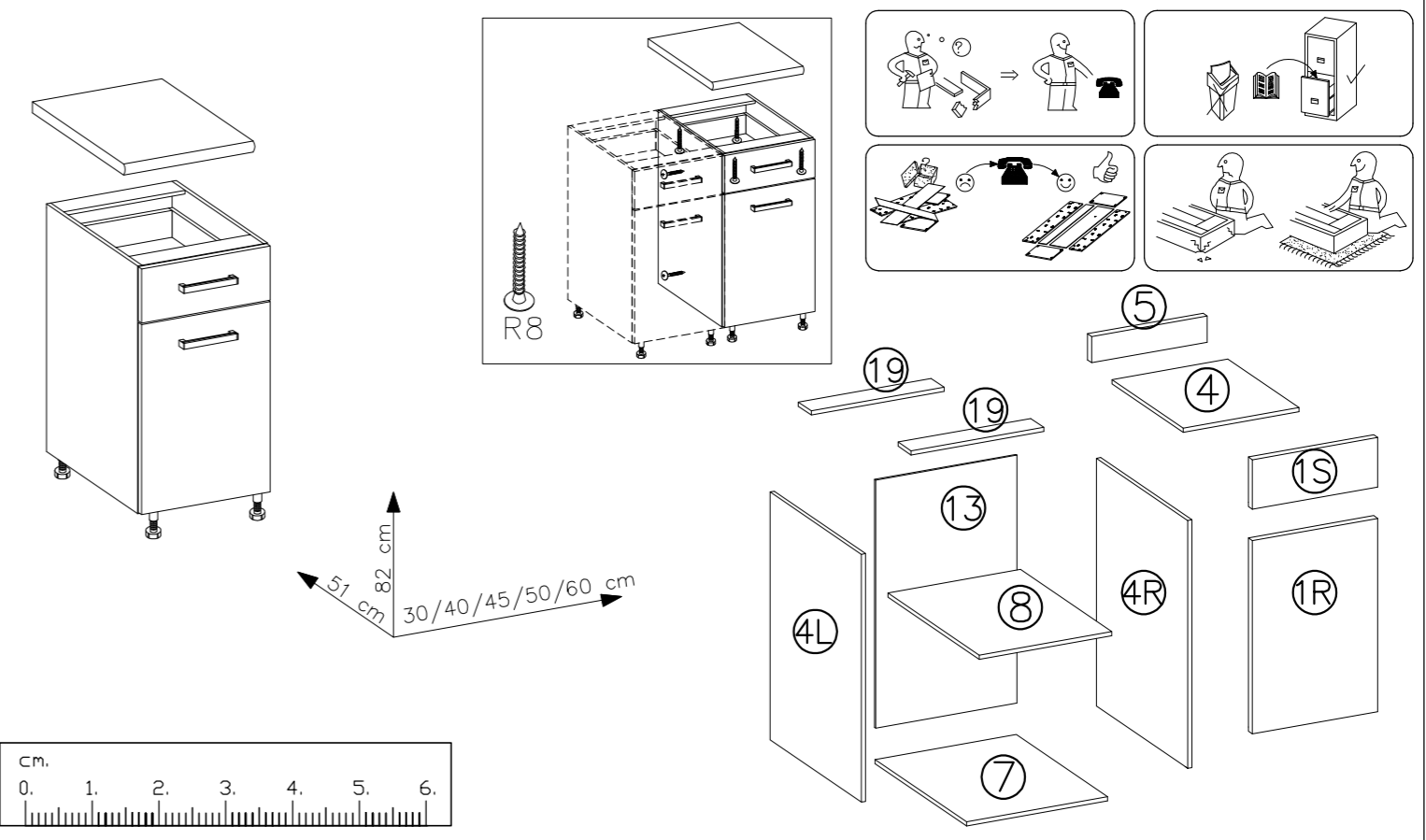
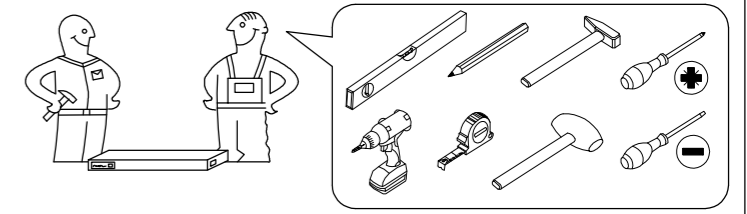
**BASIC**



**LUX**



**KITCHEN**  
1D/2D/3D/4D/5D



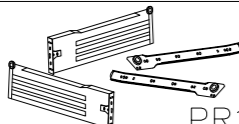
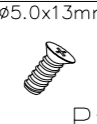

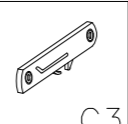

| Package No 1  |  | Package No 2  |   | Package No 4   |   |
|---|--|---|---|--|---|
| 4L 720x490  | 4R 720x490   | 1S 1D-295x140<br>2D-395x140<br>3D-445x140<br>4D-495x140<br>5D-595x140 | 1R 1D-295x572<br>2D-395x572<br>3D-445x572<br>4D-495x572<br>5D-595x572 | 4 1D-194x430<br>2D-294x430<br>3D-344x430<br>4D-394x430<br>5D-494x430 | 5 1D-182x67<br>2D-282x67<br>3D-332x67<br>4D-382x67<br>5D-482x67 |
| 7 1D-268x470<br>2D-368x470<br>3D-418x470<br>4D-468x470<br>5D-568x470  | 8 1D-268x460<br>2D-368x460<br>3D-418x460<br>4D-468x460<br>5D-568x460 | M4.0x27mm<br>S1 2<br>R2 4   |   |  |   |
| 13 1D-718x283<br>2D-718x383<br>3D-718x433<br>4D-768x483<br>5D-718x583 | 19 1D-268x80<br>2D-368x80<br>3D-418x80<br>4D-468x80<br>5D-568x80     |   |   |  |   |

| Package No 3     |                   |      |        |        |                    |
|------------------|-------------------|------|--------|--------|--------------------|
| ø8x30mm<br>A 8   | ø5.0x13mm<br>B 10 | E4 2 | F10 10 | F5 4+2 | ø3.5x30mm<br>R8 6  |
| ø35/KR-0<br>G6 2 | ø5.0x13mm<br>P9 4 | J4 4 | L 4    | 0 1    | ø3.5x16mm<br>P4 20 |

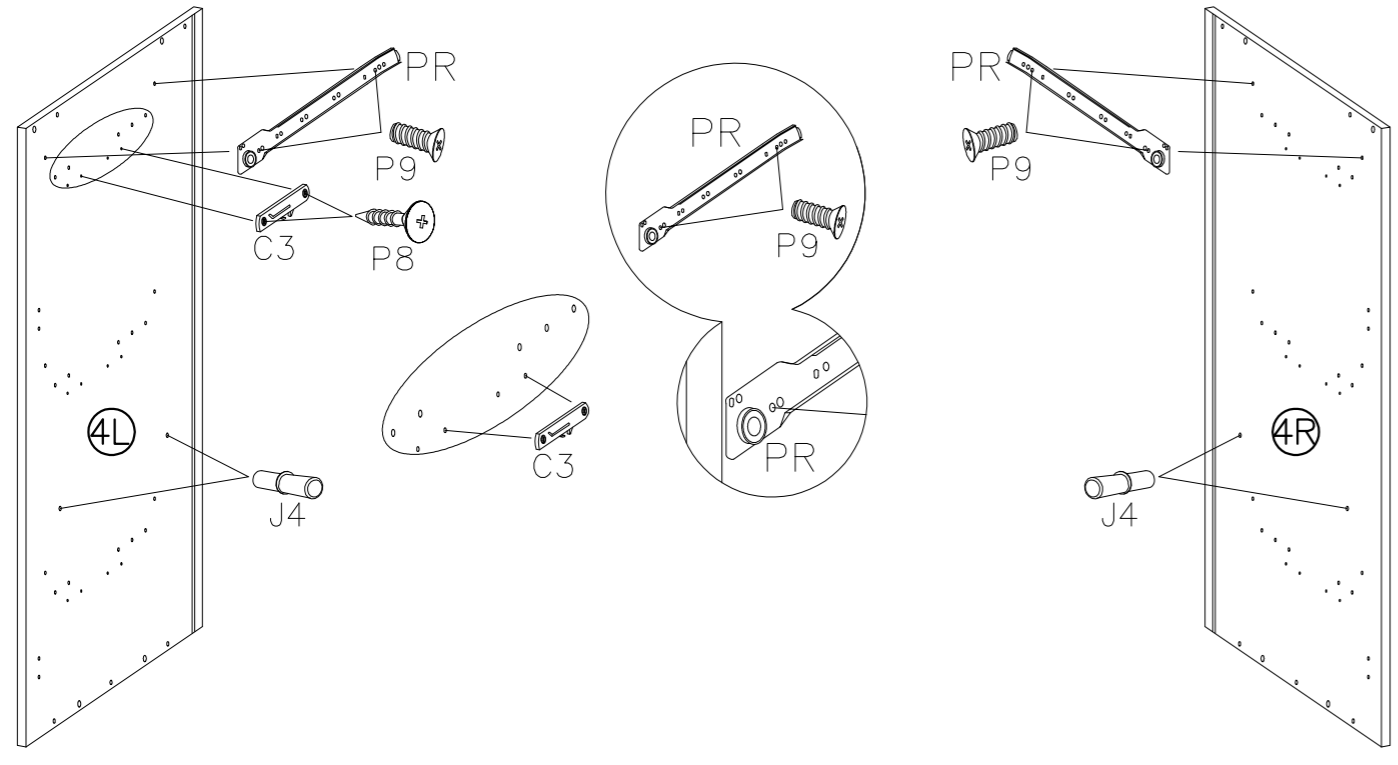
  

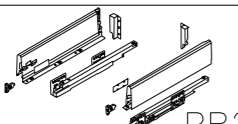

| BASIC                      |                         | LUX                         |                   |
|----------------------------|-------------------------|-----------------------------|-------------------|
| PR1 1SET<br>ø5.0x13mm<br>4 | C3 1<br>ø3.5x16mm<br>18 | PR2 1SET<br>ø3.5x16mm<br>12 | P9 8<br>ø5.0x13mm |

1

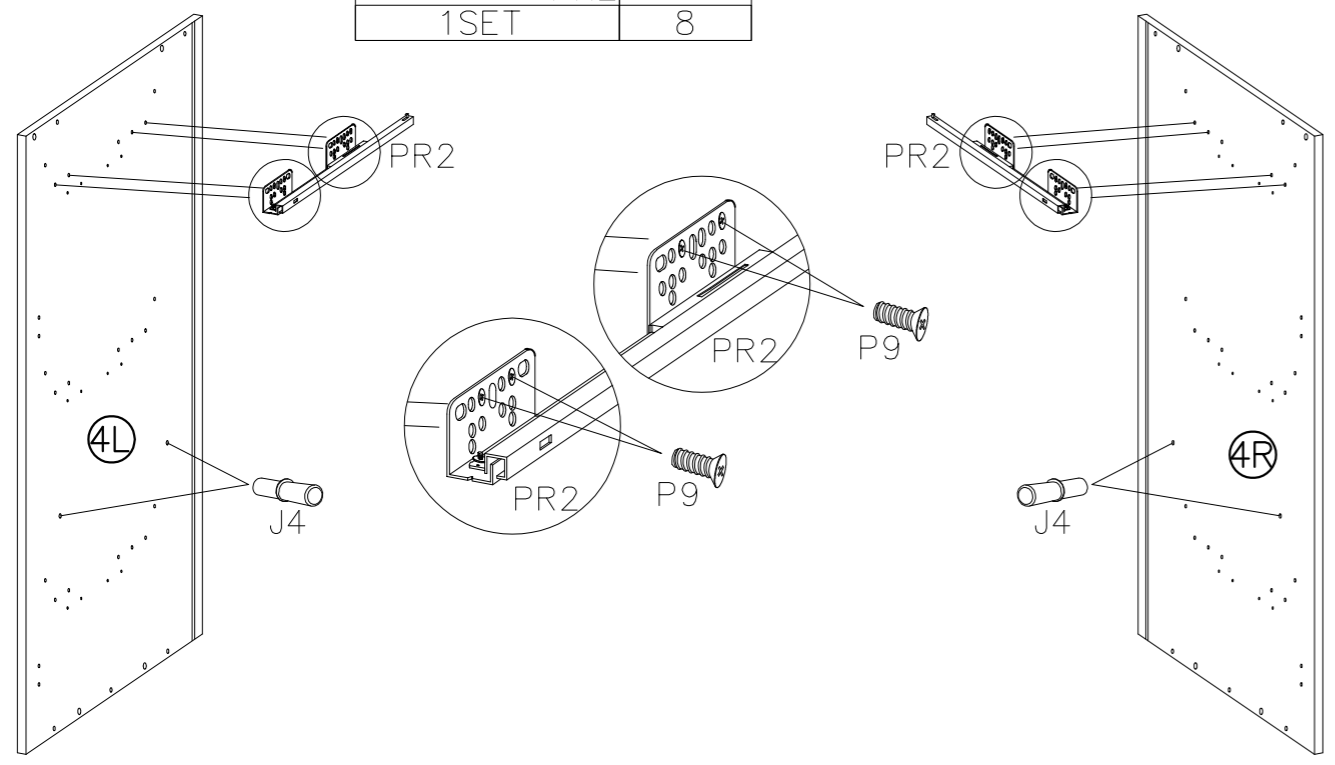
|  |  |   |  |  |
|--|--|---|--|--|
|  |  $\varnothing 5.0 \times 13 \text{mm}$ |  4.0x20mm |  |  |
| 1SET   | 4  | 2   | 1  | 4  |

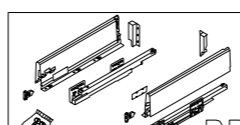

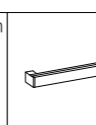

**BASIC**



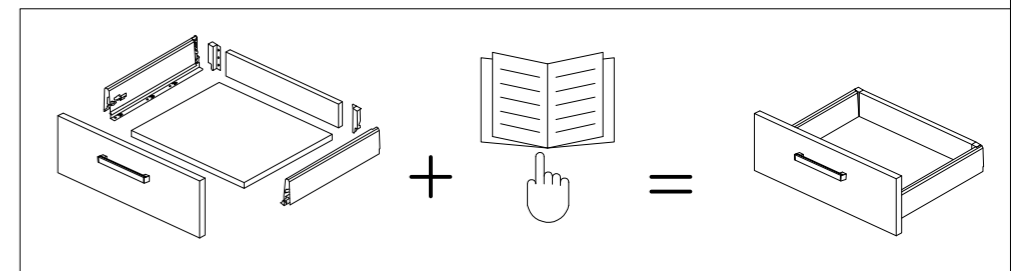
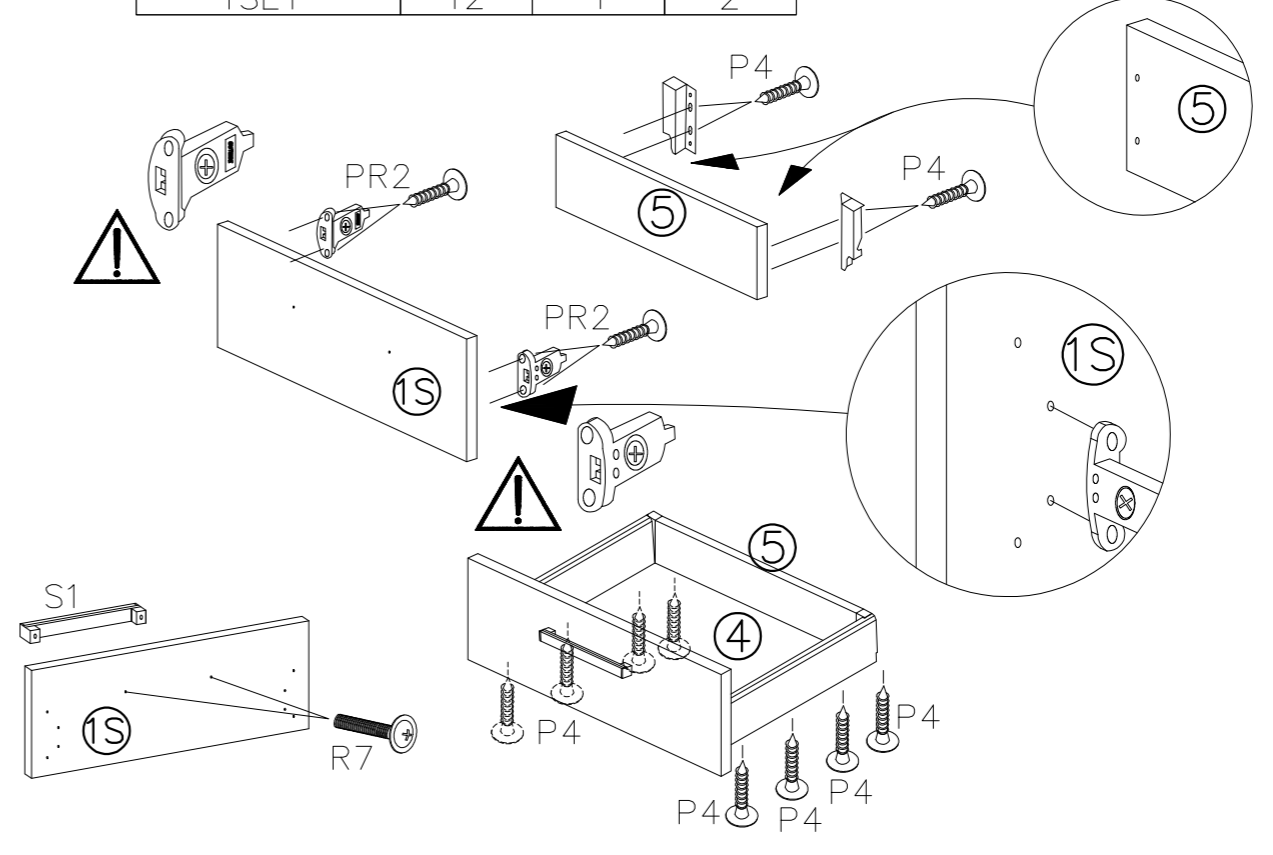
|  |  |
|--|--|
|  |  $\varnothing 5.0 \times 13 \text{mm}$ |
| 1SET   | 8  |

**LUX**

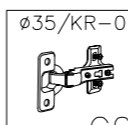

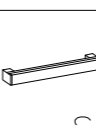

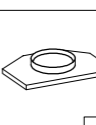


|  |  |  |  |
|--|--|--|--|
|  |  $\varnothing 3.5 \times 16 \text{mm}$ |  M4.0x27mm |  |
| 1SET   | 12   | 1  | 2  |

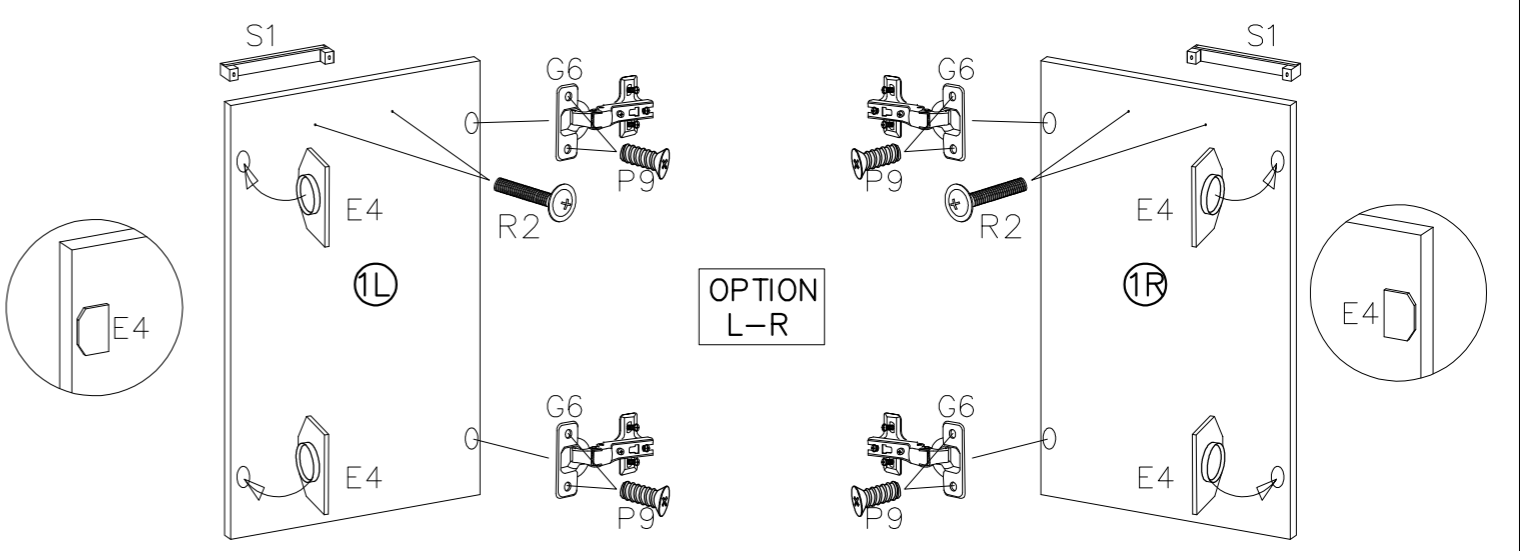
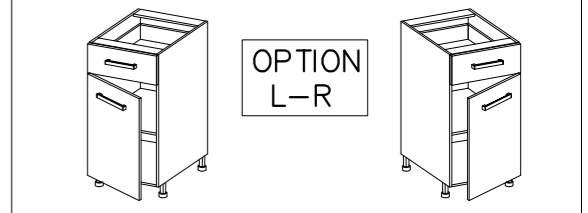
**LUX**



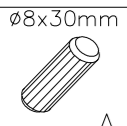
6

|  |   |   |   |   |
|--|---|---|---|---|
|  $\varnothing 35 / \text{KR}-0$ |  $\varnothing 5.0 \times 13 \text{mm}$ |  M4.0x27mm |  |  |
| 2  | 4   | 1   | 2   | 2   |

**OPTION L-R**



2

|   |
|---|
|  $\varnothing 8 \times 30 \text{mm}$ |
| 8   |

